

MC 8P - Instructions for use





Contents



1	Safety instructions	2
2	Description	3
2.1	Purpose	3
2.2	Operating elements	3
3	Before starting the cleaner	3
3.1	Setting up the cleaner	3
3.2	Connecting the high pressure hose (single user)	4
3.3	Connecting the water supply	4
3.4	Electrical connection	5
3.5	Antifreeze - before first use	5
4	Control / Operation	5
4.1	Connecting the spray lance to the spray gun	5
4.2	Switching on the cleaner	5
4.3	Pressure regulation (Tornado Lance)	6
4.4	Pressure regulation on the machine	6
5	Applications and methods	6
5.1	Techniques	6
5.2	Some typical cleaning tasks	7
6	After using the cleaner	8
6.1	Switching off the cleaner	8
6.2	Disconnecting supply lines	8
6.3	Rolling up the electrical lead and storing accessories	9
6.4	Storing the cleaner (below 0°C)	9
7	Maintenance	10
7.1	Maintenance plan	10
7.2	Maintenance work	10
8	Troubleshooting	11
9	Further information	12
9.1	Recycling the cleaner	12
9.2	Guarantee	12
9.3	EU Declaration of conformity	12
9.4	Technical Data	13

EN

Symbols used to mark instructions



Safety instructions in these operating instructions which must be observed to prevent risks to persons are marked with this danger symbol.



Before using the high-pressure cleaner, be sure to also read the enclosed operating instructions and keep them within reach at all times.

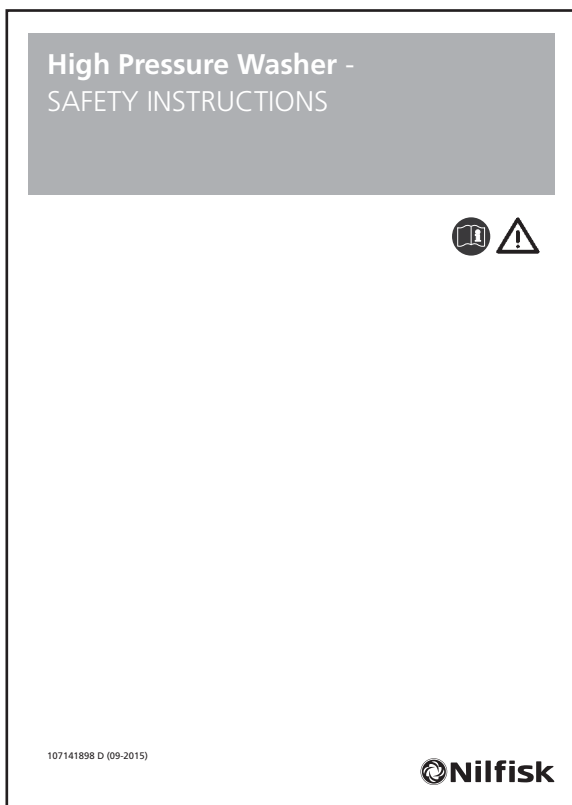


This indicates tips and instructions to simplify work and to ensure safe operation.



This symbol is used to mark safety instructions that must be observed to prevent damage to the machine and its performance.

1 Safety instructions



2 Description

2.1 Purpose

This high-pressure cleaner has been designed for professional use in

- Agriculture
- industry
- transport industry
- automotive cleaning
- municipal facilities
- cleaning trade
- construction industry etc.

Chapter 5 describes the use of the high-pressure cleaner for various cleaning jobs.

Always use the cleaner as described in these operating instructions. Any other use may damage the cleaner or the surface to be cleaned or may result in severe injury to persons.

2.2 Operating elements

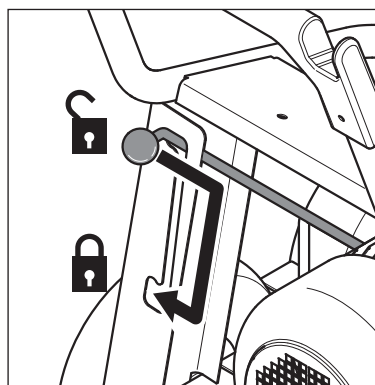


See at front of these operating instructions.

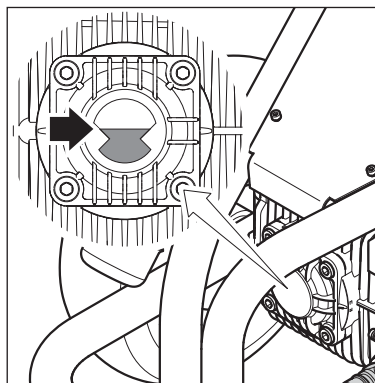
- 1 Handle
- 2 Spray gun
- 3 Receptacle for Spray lance
- 4 Pressure regulation on spray lance
- 5 Spray lance
- 6 Supply water connection with water inlet filter
- 7 Check pump oil level
- 8 High pressure hose connection
- 9 Pressure regulation
- 10 Pressure gauge
- 11 Main switch
- 12 Receptacle for electrical lead

3 Before starting the cleaner

3.1 Setting up the cleaner

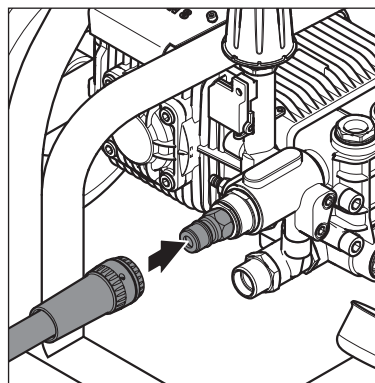


1. Before using the cleaner for the first time, check it carefully for any faults or damage.
2. Run the machine only when it is in perfect working condition.
3. Set the brake.



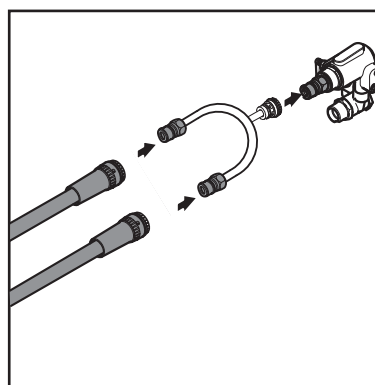
4. Check whether the oil level is between the minimum and maximum marks. If necessary, add oil (see chapter 9.4 for type of oil).

3.2 Connecting the high pressure hose (single user)



1. Put the quick connector of the high pressure hose onto the nipple on the cleaner.

3.2.1 Connecting the high pressure hoses (2 users)



1. Put the quick connector of the distributor manifold onto the nipple of the high pressure washer
2. Put the quick connector of the high pressure hoses onto the nipples of the distributor manifold.



CAUTION!

In a 2 user system, the nozzle size is different from a single user system. It is necessary to change to the matching spray lances and a distributor manifold. (see chapter 9.4)

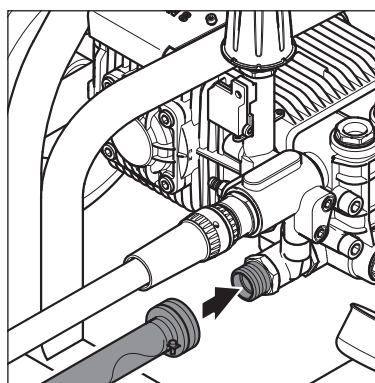
3.3 Connecting the water supply



See chapter 9.4 Technical Data for required quantity of water and water pressure.

In the case of poor water quality (sand, etc.), we recommend that a fine water filter is fitted in the water inlet.

We recommend the use of a textile-reinforced water hose with a nominal diameter of min. 3/4" (19 mm).



1. Rinse the water supply hose briefly in order to prevent sand and other dirt particles entering into the machine.
2. Connect water supply hose to the machine.
3. Open water tap.

3.4 Electrical connection



The cleaner may only be connected to a correctly installed electrical installation.

When using a cord reel:

1. Release brake of the cord reel.
2. Unwind the cord completely.

1. Observe safety instructions in chapter 1.
2. Put the plug into the electrical socket.



3.5 Antifreeze - before first use

The machine is protected with anti-freeze from the factory. Catch the liquid discharging at

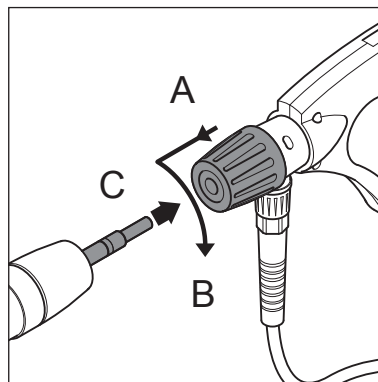
first (approx. 1 l) for re-use in a container.

4 Control / Operation

4.1 Connecting the spray lance to the spray gun



Always remove any dirt from the nipple before connecting the spray lance to the spray gun.



1. Pull the blue quick-release grip (A) of the spray gun forwards and lock it by turning it to the left.
2. Insert the nipple of the spray lance (C) into the quick-release connection and turn the blue quick-release grip to the right (B).
3. Pull the spray lance (or other accessory) forwards to check that it is securely attached to the spray gun.

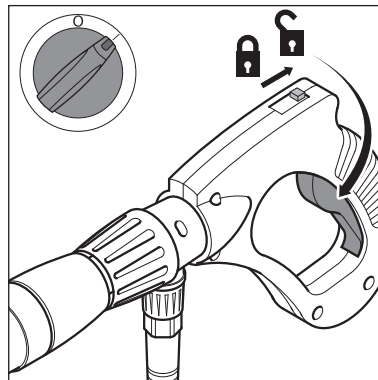
4.2 Switching on the cleaner

4.2.1 Switching on the cleaner when it is connected to a water supply



Operate the spray gun several times at short intervals to vent the system.

The cleaner switches off automatically after the spray gun has been closed. To start the cleaner again, operate the spray gun.

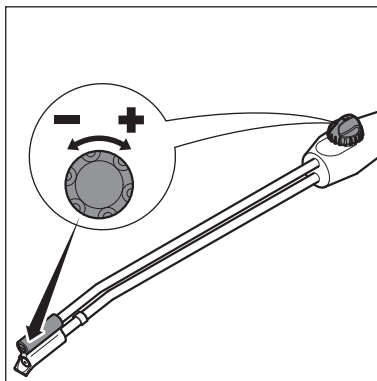


1. Main switch
Turn the switch to position „I“.
2. Unlock the spray gun and operate it.
3. Lock the spray gun even during short pauses.

4.2.2 Switching on the cleaner when it is connected to open tanks (suction mode)

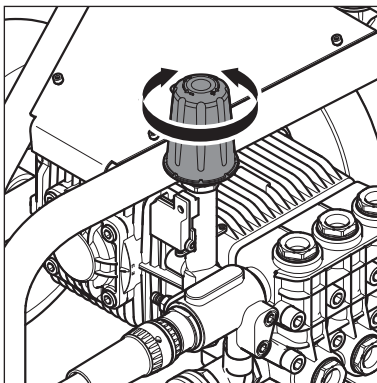
1. Before connecting the suction hose to the cleaner, fill the hose with water. 2. Main switch
Turn the switch to position „I“.
3. Unlock the spray gun and operate it.
Max. suction height = 1.5 m.

4.3 Pressure regulation (Tornado Lance)



1. Turn the twist grip on the spray unit:
 - **High pressure** = clockwise (+)
 - **Low pressure** = anticlockwise (–)

4.4 Pressure regulation on the machine



1. Set pressure and water volume by twisting the pressure/volume regulation knob on the machine.

5 Applications and methods

5.1 Techniques

Efficient high pressure cleaning is achieved by following a few guidelines, combined with your own personal experience of specific cleaning tasks. Accessories and detergents, when correctly chosen, can increase the efficiency of your pressure washer. Here is some basic information about cleaning.

5.1.1 Soaking

Encrusted or thick layers of dirt can be loosened or softened up by a period of soaking. This is for example an ideal method within agriculture – for example, within pig sties. The ideal soaking method can be achieved via use of foam or simple alkaline detergent. Let the product lie on the dirty surfaces for around 30 minutes before pressure washing. The result will be a much quicker high pressure cleaning process.

5.1.2 Detergent and Foam

Foam or detergent should be applied onto dry surfaces so that the chemical product is in direct contact with the dirt. Detergents are applied from bottom to top, for example on a car bodywork, in order to avoid “super clean” areas, where the detergent collects in higher concentration and streams downwards. Let the detergent work for several minutes before rinsing before rinsing but never let it dry on the surface being cleaned.

5.1.3 Temperature

Detergents are more effective at higher temperatures. Greases, oils and fats can be broken down more easily at higher temperatures also. Proteins can be cleaned at temperatures of around 60°C. Oils, traffic film around 70°C, and grease can be cleaned at 80°C - 90°C.

5.1.4 Mechanical Effect

In order to break down tough layers of dirt, additional mechanical effect may be required. Special lances and rotary or wash brushes offer this supplementary effect that cuts through dirt.

5.1.5 High Water Flow or High Pressure

High pressure is not always the best solution and high pressure may damage surfaces. The cleaning effect also depends upon water flow. Pressure levels of around 100 bar may be sufficient for vehicle cleaning (in association with hot water). Higher flow levels give the possibility to rinse and flush away large amounts of dirt easily.

5.2 Some typical cleaning tasks

5.2.1 Agriculture

Task	Accessories	Method
Stables Pig Pens, Sties Cleaning of walls, floors and equipment Disinfectant	Chemical Foam Injectors Foam lance Powerspeed lance Floor Cleaner Detergents Universal Alkafoam Disinfectant DES 3000	<ol style="list-style-type: none"> 1. Soaking – apply foam to all surfaces (bottom to top) and wait for approx. 30 minutes. 2. Remove the dirt from surfaces with the high pressure lance or chosen accessory. Again, clean from bottom to top on vertical surfaces. 3. To flush away large quantities of dirt, change to low pressure mode and use the higher flow to push away the dirt. 4. Use recommended disinfectant products and methods to ensure hygiene. Apply DES 3000 disinfectant once the surfaces are perfectly clean.
Machinery Tractors ploughs etc.	Detergent injection Powerspeed lances Curved lances and underchassis washers Brushes	<ol style="list-style-type: none"> 1. Apply detergent to vehicle or equipment surfaces in order to soften up dirt and grime. Apply from bottom to top. 2. Proceed with cleaning using the high pressure lance. Clean again from bottom to top. Use accessories to clean in difficult to reach places. 3. Clean fragile areas such as motors, rubber at lower pressure levels to avoid damage.

5.2.2 Vehicle

Task	Accessories	Method
Vehicle bodywork	Standard lance Detergent injection Curved lances and underchassis washers brushes Detergents Aktive Shampoo Aktive Foam Sapphire Super Plus Aktive Wax Allosil RimTop	<ol style="list-style-type: none"> 1. Apply detergent to vehicle or equipment surfaces in order to soften up dirt and grime. Apply from bottom to top. In cases of particularly dirty vehicles, pre-spray with a product such as Allosil in order to remove traces of insects etc, then rinse at low pressure and apply normal car cleaning detergent. Let detergents settle for 5 minutes before cleaning off. Metallic surfaces can be cleaned using RimTop. 2. Proceed with cleaning using the high pressure lance. Clean again from bottom to top. Use accessories to clean in difficult to reach places. Use brushes in order to add a mechanical cleaning effect. Short lances can help for cleaning of motors and wheel arches. Curved lances or undercarriage washers can be valuable for the cleaning of car underchassis and wheel arches. 3. Clean fragile areas such as motors, rubber at lower pressure levels to avoid damage. 4. Apply a liquid wax using the pressure washer in order to protect the bodywork from pollution.

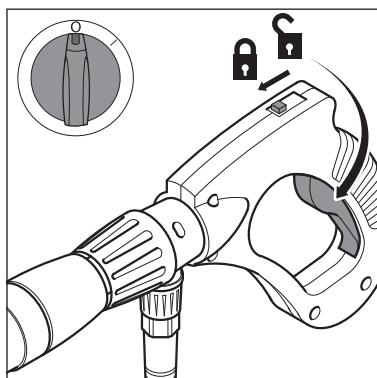
5.2.3 Buildings and Equipment

Task	Accessories	Method
General surfaces Metallic equipment	Foam injectors Standard lance Curved lances Tank cleaning head Detergents Intensive J25 Multi Combi Aktive Alkafoam Disinfectant DES 3000	<ol style="list-style-type: none"> 1. Apply thick foam over the surfaces to be cleaned. Apply on dry surfaces. Apply from top to bottom on vertical surfaces. Let the foam act for up to 30 minutes for the optimal effect. 2. Proceed with cleaning using the high pressure lance. Use applicable accessories. Use high pressure to dislodge large amounts of incrustated dirt or grime. Use lower pressure and high water volume in order to rapidly flush away loose dirt and rinse surfaces. 3. Apply DES 3000 disinfectant once the surfaces are perfectly clean. <p>Areas covered by amounts of loose dirt, such as animal remains in slaughterhouses, can be removed by using high water flow to flush away the dirt to evacuation pits or drains.</p> <p>Tank cleaning heads can be used to clean barrels, vats, mixing tanks etc. Cleaning heads may be hydraulically or electrically powered and give the possibility for automatic cleaning without a constant user.</p>
Rusted or damages surfaces prior to treatment	Wet Sandblasting equipment	<ol style="list-style-type: none"> 1. Connect the sandblasting lance to the pressure washer and place the suction tube in the sand. 2. Always wear protective equipment during sandblasting. 3. Spray the surfaces to be treated with the mix of water and sand. Rust, paint etc will be stripped off.

These are merely several examples of cleaning tasks that can be solved by a pressure washer in association with accessories and detergents. Each cleaning task is different. Please consult your local dealer or Nilfisk representative in order to discuss the best solution for your own cleaning tasks.

6 After using the cleaner

6.1 Switching off the cleaner



1. Turn the main switch to position „OFF“.
2. Close water tap.
3. Squeeze the spray gun handle until the cleaner is depressurised.
4. Lock the safety catch on the spray gun.

6.2 Disconnecting supply lines

1. Remove the water hose from the cleaner.
2. Pull out the plug from the electrical socket.

6.3 Rolling up the electrical lead and storing accessories

Risk of tripping!

To prevent accidents, always carefully roll up the electrical lead.



1. Wind up the high pressure hose.
2. Place the spray lance into the spray lance storage.

6.4 Storing the cleaner (below 0°C)



1. Store the cleaner in a dry room without danger of frost or protect as below:

CAUTION!

If the high-pressure cleaner is stored in a room with temperatures around or below 0°C, anti-freeze should be drawn into the pump beforehand:

1. Remove the water inlet hose from the cleaner.
2. Remove the spray lance.
3. Switch on the cleaner with the main switch in position „I“ and activate trigger on the spray gun.
Switch off the cleaner after max. 3 minutes.
4. Connect the suction hose to the water inlet of the cleaner

and place it in a tank containing anti-freeze.

5. Switch on the cleaner with the main switch in position „I“.
6. Hold the spray gun over the tank containing anti-freeze and operate it to start suction.
7. During suction operate the spray gun two or three times.
8. Lift the suction hose from the tank containing anti-freeze and operate the spray gun to pump off the remaining anti-freeze.
9. Switching off the cleaner
10. To avoid any risks, store the cleaner temporarily in a heated room before using it again.

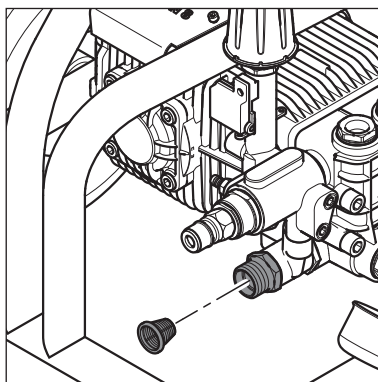
EN 7 Maintenance

7.1 Maintenance plan

	Weekly	After the first 50 operating hours	Every six months or 500 operating hours	As required
7.2.1 Cleaning water inlet filter	●			●
7.2.2 Checking pump oil level	●			
7.2.3 Changing pump oil		●	●	

7.2 Maintenance work

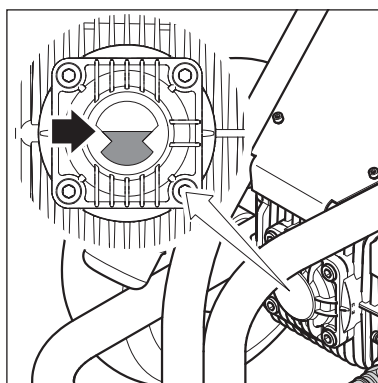
7.2.1 Cleaning water inlet filter



A water filter is fitted on the water inlet to prevent large particles of dirt from entering into the pump.

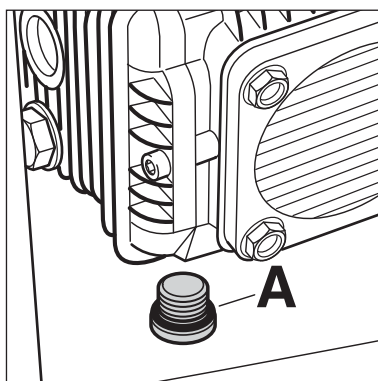
1. Unscrew the quick-release connection.
2. Remove the filter and rinse it. Replace damaged filter. Replace damaged filter.

7.2.2 Checking the pump oil level



1. Check whether the oil level is between the minimum and maximum marks. If necessary, add oil (see chapter 9.4 for type of oil).

7.2.3 Changing the pump oil



1. Unscrew the oil drain plug (A) and drain oil into a suitable container.
2. Check that the drain plug gasket is in place and reinstall drain plug.
3. Fill pump with proper grade and amount of oil. Oil grade and capacity see chapter '9.4 Technical Data'.

8 Troubleshooting

Fault	Cause	Remedy
Pressure drop	<ul style="list-style-type: none"> > Air in the system > High pressure nozzle blocked worn > Pressure control on the spray pipe is not set correctly 	<ul style="list-style-type: none"> • Vent the system by operating the spray gun several times at short intervals. If necessary, operate the cleaner for a short time without the high-pressure hose connected. • Clean/replace the high pressure nozzle • Set the required working pressure
Pressure fluctuations	<ul style="list-style-type: none"> > Pump draws in air (only possible in suction mode) > Lack of water > Water inlet hose is too long or its cross-section too small > Lack of water caused by blocked water filter > Lack of water because max. permissible suction height has not been heeded 	<ul style="list-style-type: none"> • Check that the suction set is air-tight • Open water tap • Use specified water inlet hose • Clean the water filter in the water connection (never work without water filter) • See instructions
The motor does not start when the cleaner is switched on	<ul style="list-style-type: none"> > The plug is not inserted properly, i.e. there is no current > The mains fuse is switched off 	<ul style="list-style-type: none"> • Check the plug, lead and switch and if necessary have them replaced by a trained electrician • Switch on the mains fuse
When the cleaner is switched on the motor buzzes without starting	<ul style="list-style-type: none"> > The mains voltage is too low or there is a phase failure. > The pump is blocked or frozen > Incorrect cross-section or length of the extension lead 	<ul style="list-style-type: none"> • Have the electrical connection checked • Contact the Nilfisk customer service • Use lead with correct cross section or length
The motor switches off	<ul style="list-style-type: none"> > The overload protection has been activated due to overheating or overloading of the motor > High-pressure nozzle is dirty 	<ul style="list-style-type: none"> • Check that the mains voltage and the cleaner voltage are the same. Switch off the cleaner and allow it to cool for at least 3 minutes • Change the high-pressure nozzle

9 Further information

9.1 Recycling the cleaner



Make the old cleaner unusable immediately.

1. Unplug the cleaner and cut the power cord.

Do not discard of electrical appliances with household waste.

As specified in European Directive 2012/19/EU on old electrical and electronic appliances, used electrical goods must be collected separately and recycled ecologically. Contact your local authorities or your nearest dealer for further information.

9.2 Guarantee

Our general conditions of business are applicable with regard to the guarantee. Subject to

change as a result of technical advances.

9.3 EU Declaration of conformity

We,
Nilfisk A/S
Kornmarksvej 1
DK-2605 Brøndby
DENMARK

Hereby solely declare, that the product:
HPW - Professional - Mobile
Description 230/1/50, 400/3/50, IPX5
Type MC 8P-*/*

Are in compliance with the following standards:

EN 60335-1:2012+A11:2014
EN 60335-2-79:2012
EN 55014-1:2006+A1:2009+A2:2011
EN 55014-2:1997+A1:2001+A2:2008
EN 61000-3-2:2014
EN 61000-3-11:2000
EN 50581:2012

Following the provisions of:

Machinery Directive 2006/42/EC

EMC Directive 2004/108/EC

RoHS Directive 2011/65/EC

Noise Emission Directive 2000/14/EC – Conformity assessment procedure according to Annex V.

- Measured noise level [dB]: 83-93

- Guaranteed noise level [dB]: 86-94

Hadsund 02-10-2015

Anton Sørensen
Senior Vice President – Global R&D

9.4 Technical Data



MC		8P-180/2100	8P-160/2500 8P-160/2500 ST
Voltage 400 V / 3~ / 50 Hz		EU	EU
Fuse (slow)	A	24	24.9
Power rating	kW	14	14.5
Working pressure	bar (Mpa)	180 (18)	160 (16)
Volume flow Q _{max}	l/h	2100	2500
Water volume Q _{IEC}	l/h	2050	2450
Max. water inlet temperature	°C/°F	60/86	60/86
Max. water inlet pressure	bar (Mpa)	10 (1)	10 (1)
Dimensions l x w x h	mm	897 x 652 x 913	897 x 652 x 913
Weight of cleaner	kg	130	130
Noise level at a distance of 1m EN 60704-1	dB(A)	79.2	81.6
Sound power level LW _A	dB(A)	95/93.1	95.4
Vibration ISO 5349	m/s ²	≤ 2,5	≤ 2,5
Recoil forces	N	106	124
Oil quantity	l	1	1
Oil type		SAE 15 W 40	SAE 15 W 40
Nozzle size (1 user)		1200	1590
Nozzle size (2 users)		0.600/0.600	0.800/0.800



HEAD QUARTER

DENMARK

Nilfisk A/S
Kornmarksvej 1
DK-2605 Brøndby
Tel.: (+45) 4323 8100
www.nilfisk.com

SALES COMPANIES

ARGENTINA

Nilfisk srl.
Edificio Central Park
Herrera 1855, 6th floor/604
Ciudad de Buenos Aires
Tel.: (+54) 11 6091 1571
www.nilfisk.com.ar

AUSTRALIA

Nilfisk Pty Ltd
Unit 1/13 Bessemer Street
Blacktown NSW 2148
Tel.: (+61) 2 98348100
www.nilfisk.com.au

AUSTRIA

Nilfisk GmbH
Metzgerstrasse 68
5101 Bergheim bei Salzburg
Tel.: (+43) 662 456 400 90
www.nilfisk.at

BELGIUM

Nilfisk n.v.s.a.
Riverside Business Park
Boulevard Internationalelaan 55
Bâtiment C3/C4 Gebouw
Bruxelles 1070
Tel.: (+32) 14 67 60 50
www.nilfisk.be

BRAZIL

Nilfisk do Brasil
Av. Eng. Luis Carlos Berrini, 550
40 Andar, Sala 03
SP - 04571-000 Sao Paulo
Tel.: (+11) 3959-0300 / 3945-4744
www.nilfisk.com.br

CANADA

Nilfisk Canada Company
240 Superior Boulevard
Mississauga, Ontario L5T 2L2
Tel.: (+1) 800-668-8400
www.nilfisk.ca

CHILE

Nilfisk S.A. (Comercial KCS Ltda)
Salar de Llamará 822
8320000 Santiago
Tel.: (+56) 2684 5000
www.nilfisk.cl

CHINA

Nilfisk
4189 Yindu Road
Xinzhuang Industrial Park
201108 Shanghai
Tel.: (+86) 21 3323 2000
www.nilfisk.cn

CZECH REPUBLIC

Nilfisk s.r.o.
VGP Park Horní Počernice
Do Čertous 1/2658
193 00 Praha 9
Tel.: (+420) 244 090 912
www.nilfisk.cz

DENMARK

Nilfisk Danmark A/S
Industrivej 1
Hadsund, DK-9560
Tel.: 72 18 21 20
www.nilfisk.dk

FINLAND

Nilfisk Oy Ab
Koskelontie 23 E
02920 Espoo
Tel.: (+358) 207 890 600
www.nilfisk.fi

FRANCE

Nilfisk SAS
26 Avenue de la Baltique
Villebon sur Yvette
91978 Courtabouef Cedex
Tel.: (+33) 169 59 87 00
www.nilfisk.fr

GERMANY

Nilfisk GmbH
Guido-Oberdorfer-Straße 2-10
89287 Bellenberg
Tel.: (+49) (0)7306/72-444
www.nilfisk.de

GREECE

Nilfisk A.E.
Αναπαύσεως 29
Κορωπί T.K. 194 00
Tel.: (30) 210 9119 600
www.nilfisk.gr

HOLLAND

Nilfisk B.V.
Versterkerstraat 5
1322 AN Almere
Tel.: (+31) 036 5460760
www.nilfisk.nl

HONG KONG

Nilfisk Ltd.
2001 HK Worsted Mills
Industrial Building
31-39, Wo Tong Tsui St.
Kwai Chung, N.T.
Tel.: (+852) 2427 5951
www.nilfisk.com

HUNGARY

Nilfisk Kft.
II. Rákóczi Ferenc út 10
2310 Szigetszentmiklós-Lakihegy
Tel.: (+36) 24 475 550
www.nilfisk.hu

INDIA

Nilfisk India Limited
Pramukh Plaza, 'B' Wing, 4th floor, Unit
No. 403
Cardinal Gracious Road, Chakala
Andheri (East) Mumbai 400 099
Tel.: (+91) 22 6118 8188
www.nilfisk.in

IRELAND

Nilfisk
1 Stokes Place
St. Stephen's Green
Dublin 2
Tel.: (+35) 3 12 94 38 38
www.nilfisk.ie

ITALY

Nilfisk SpA
Strada Comunale della Braglia, 18
26862 Guardamiglio (LO)
Tel.: (+39) (0) 377 414021
www.nilfisk.it

JAPAN

Nilfisk Inc.
1-6-6 Kita-shinyokohama, Kouhoku-ku
Yokohama, 223-0059
Tel.: (+81) 45548 2571
www.nilfisk.com

MALAYSIA

Nilfisk Sdn Bhd
Sd 33, Jalan KIP 10
Taman Perindustrian KIP
Sri Damansara
52200 Kuala Lumpur
Tel.: (60) 3603 627 43 120
www.nilfisk.com

MEXICO

Nilfisk de Mexico, S. de R.L. de C.V.
Pirineos #515 Int.
60-70 Microparque
Industrial WSantiago
76120 Queretaro
Tel.: (+52) (442) 427 77 00
www.nilfisk.com

NEW ZEALAND

Nilfisk Limited
Danish House
6 Rockridge Avenue
Penrose, Auckland 1061
Tel.: (+64) 9526 3890
www.nilfisk.com.au

NORWAY

Nilfisk AS
Bjørnerudveien 24
1266 Oslo
Tel.: (+47) 22 75 17 80
www.nilfisk.no

PERU

Nilfisk S.A.C.
Calle Boulevard 162, Of. 703, Lima 33-
Perú
Lima
Tel.: (511) 435-6840
www.nilfisk.com

POLAND

Nilfisk Sp. Z.O.O.
Millenium Logistic Park
ul. 3 Maja 8, Bud. B4
05-800 Pruszków
Tel.: (+48) 22 738 3750
www.nilfisk.pl

PORTUGAL

Nilfisk Lda.
Sintra Business Park
Zona Industrial Da Abrunheira
Edifício 1, 1º A
P2710-089 Sintra
Tel.: (+351) 21 911 2670
www.nilfisk.pt

RUSSIA

Nilfisk LLC
Vyatskaya str. 27, bld. 7/1st
127015 Moscow
Tel.: (+7) 495 783 9602
www.nilfisk.ru

SINGAPORE

Den-Sin
22 Tuas Avenue 2
639453 Singapore
Tel.: (+65) 6268 1006
www.densin.com

SLOVAKIA

Nilfisk s.r.o.
Bancikovej 1/A
SK-821 03 Bratislava
Tel.: (+421) 910 222 928
www.nilfisk.sk

SOUTH AFRICA

WAP South Africa
12 Newton Street
Spartan 1630
Tel.: (+27) 11 975 7060
www.wap.com.za

SOUTH KOREA

Nilfisk Korea
3F Duksoo B/D, 317-15
Sungsoo-Dong 2Ga
Sungdong-Gu, Seoul
Tel.: (+82) 2497 8636
www.nilfisk.co.kr

SPAIN

Nilfisk S.A.
Torre d'Ara,
Passeig del Rengle, 5 Plta. 10ª
08302 Mataró
Tel.: (34) 93 741 2400
www.nilfisk.es

SWEDEN

Nilfisk AB
Taljegårdsgatan 4
431 53 Mölndal
Tel.: (+46) 31 706 73 00
www.nilfisk.se

SWITZERLAND

Nilfisk AG
Ringstrasse 19
Kircheberg/Industri Stelz
9500 Wil
Tel.: (+41) 71 92 38 444
www.nilfisk.ch

TAIWAN

Nilfisk Ltd
Taiwan Branch (H.K)
No. 5, Wan Fang Road
Taipei
Tel.: (+88) 6227 00 22 68
www.nilfisk.tw

THAILAND

Nilfisk Co. Ltd.
89 Soi Chokechai-Ruammitr
Viphavadee-Rangsit Road
Ladyao, Jatuchak, Bangkok 10900
Tel.: (+66) 2275 5630
www.nilfisk.co.th

TURKEY

Nilfisk A.S.
Serifali Mh. Bayraktar Bulv. Sehit Sk. No:7
Ümraniye, 34775 Istanbul
Tel.: +90 216 466 94 94
www.nilfisk.com.tr

UNITED ARAB EMIRATES

Nilfisk Middle East Branch
SAIF-Zone
P.O. Box 122298
Sharjah
Tel.: (+971) (0) 655-78813
www.nilfisk.com

UNITED KINGDOM

Nilfisk Ltd.
Nilfisk House, Bowerbank Way
Gilwilly Industrial Estate, Penrith
Cumbria CA11 9BQ
Tel.: (+44) (0) 1768 868995
www.nilfisk.co.uk

UNITED STATES

Nilfisk Inc.
14600 21st Avenue North
Plymouth, MN-55447
Tel.: (+1) 800-989-2235
www.nilfisk.com

VIETNAM

Nilfisk Vietnam
No. 51 Doc Ngu Str.
P. Vinh Phúc, Q.Ba Dinh
Hanoi
Tel.: (+84) 761 5642
www.nilfisk.com