

Use and maintenance

Operating guidelines AS1050R



Disconnect battery charger and store the cable.



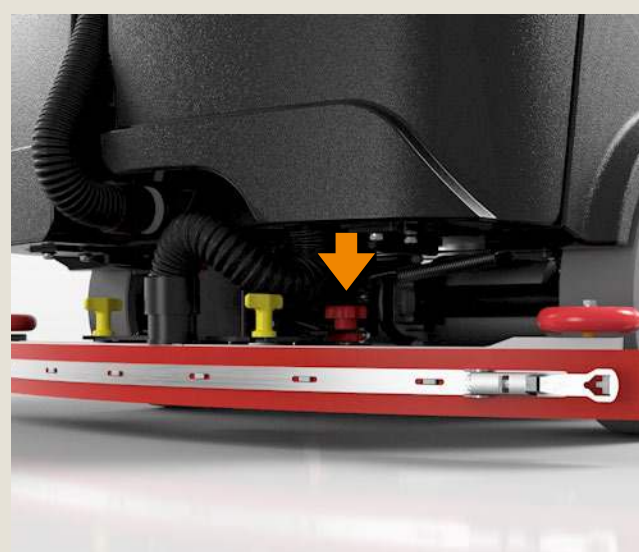
Fill the solution tank with fresh water and add low foam detergent according to needs. The water temperature must not exceed 40 °C.



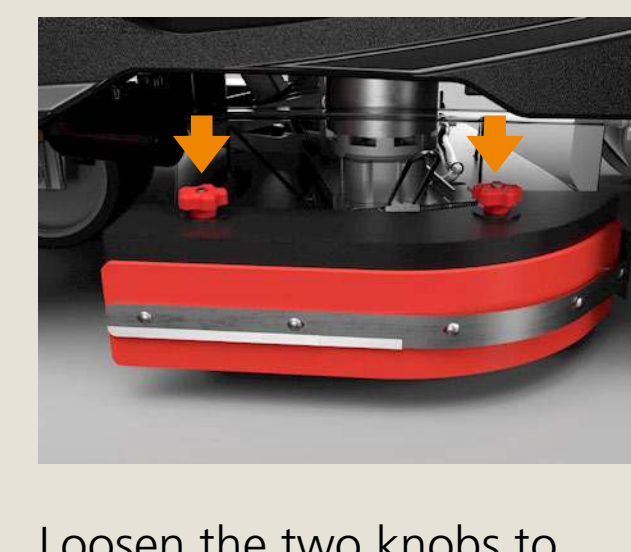
Solution level indicator is on the side of the tank showing current level. If the solution tank is empty or recovery tank full, an indicator on the display will show up with sound warning.



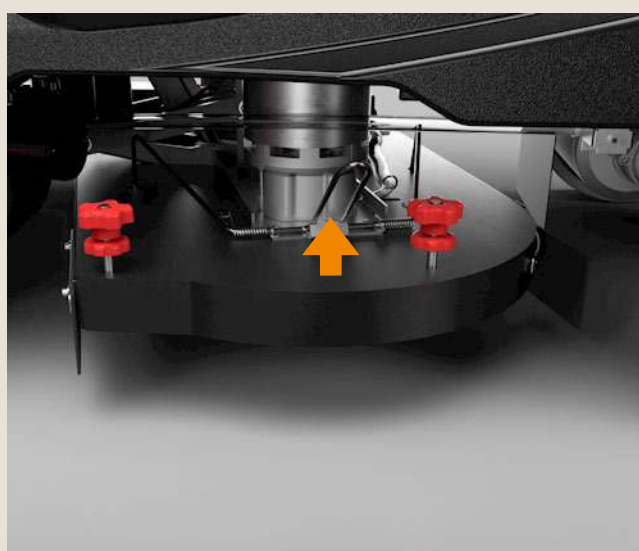
Install the squeegee and fix it by using the two knobs.



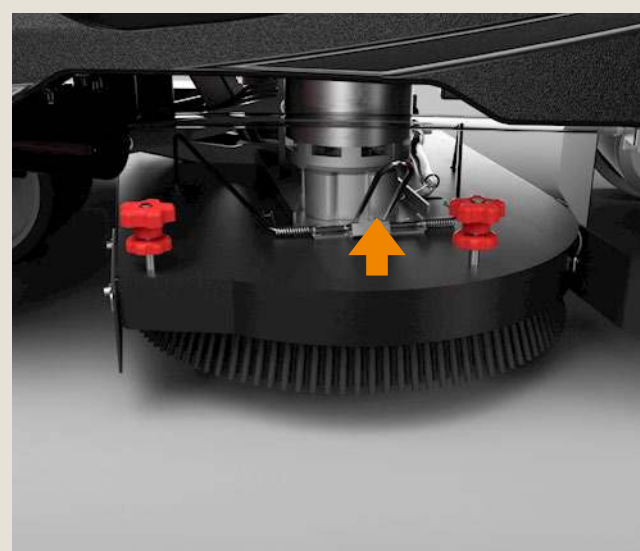
Adjust squeegee angle and blade pressure for optimal water pick-up by turning the adjustment knob on the support.



Loosen the two knobs to remove the side skirt.



To install the brush/pad holder, pull up the metal handle and slide in the brush/pad holder until it stops against the pins in the proper position and release the handle. Put back the side skirt



Turn the main key to on and press the click on button to install the brush automatically. Deck will lower and brushes turn slowly to attach.



Click One Touch button to activate all functions



Adjust the maximum speed with the speed adjustment dial.



Use buttons to change cleaning settings from the dashboard



During the cleaning job it's possible to adjust the solution flow, the brush pressure, activating Eco Mode or Silent Mode from the dashboard.

Maintenance

Operating guidelines AS1050R



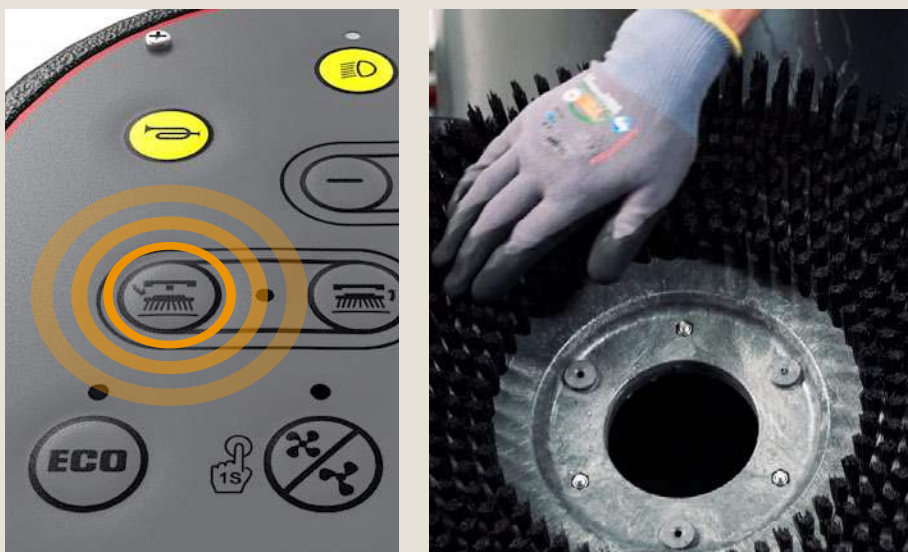
Turn OFF the machine using the key.



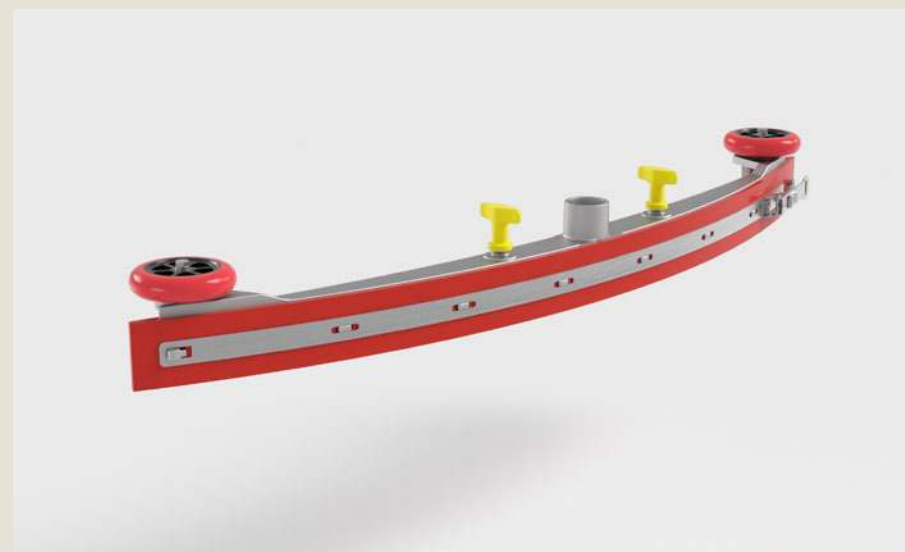
Empty the tank with the hose in the back. Empty and clean the debris tray in the tank, flush&clean out the recovery tank.



Empty solution tank.
Check and clean filter (weekly).



With the key turned on press the brush click off button to remove the brushes/pad holders for inspection and cleaning.



Take the squeegee off, check and clean the blades.



Hang the squeegee on the machine to dry.



Park the machine leaving the recovery tank open.



Connect the battery charger to the charging inlet on the machine and switch on the charger.

Local Viper dealer:

Phone number:

SN: