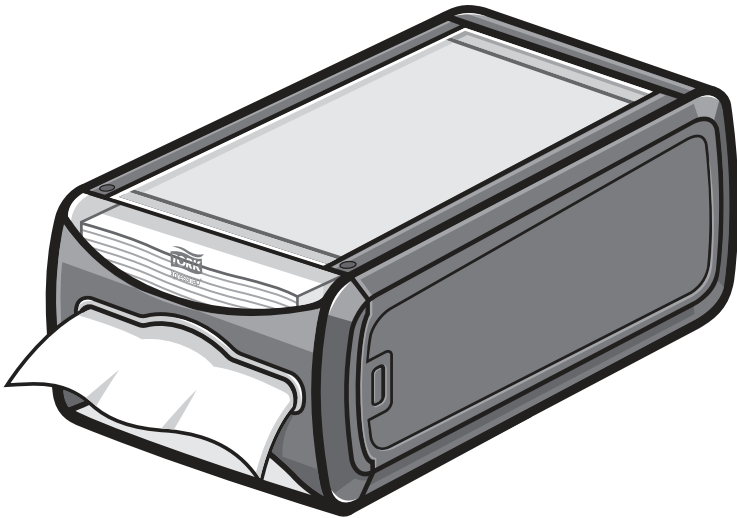


# Tork Xpressnap® Counter Napkin Dispenser

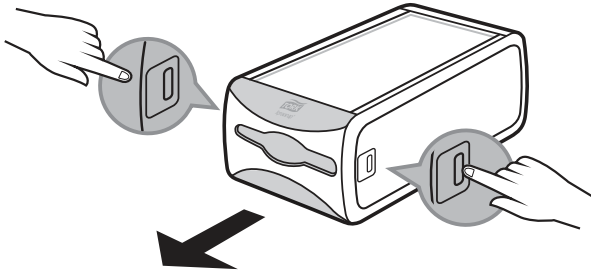
N4

Signature  
Design

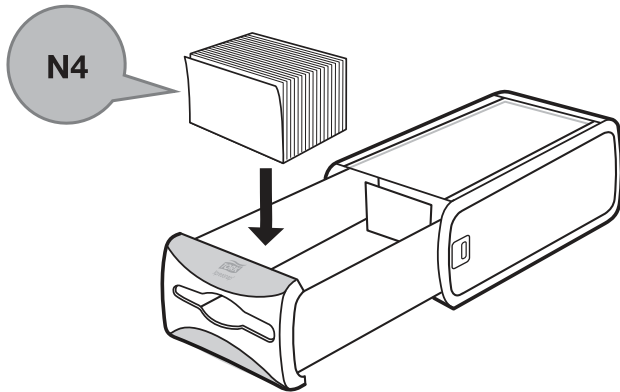


Tork Xpressnap® Counter Napkin Dispenser

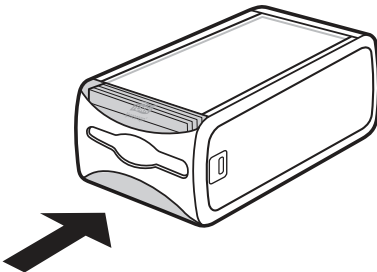
1



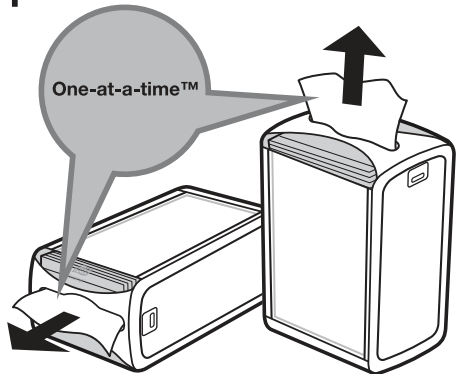
2



3



4

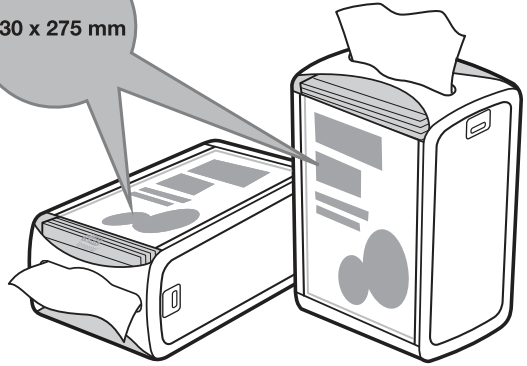


1

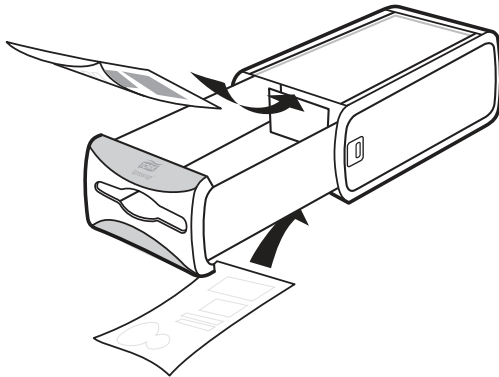
AD-a-Glance™

TEMPLATES  
[adagance.torkglobal.com](http://adagance.torkglobal.com)

230 x 275 mm

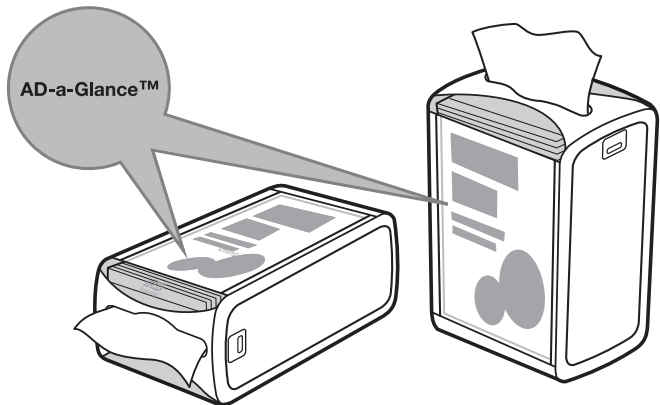


2



3

AD-a-Glance™



## Cleaning instructions

- Use mild cleaners. Wipe with cloth using soap and water. Do not use abrasives. Dispenser is not dishwasher safe.

European Community Design Registration RCD 001293070



Manufactured by Essity Hygiene and Health AB  
SE-40503 Göteborg, Sweden  
Visiting address: Mölndals Bro 2, Mölndal  
www.essity.com, www.torkglobal.com  
Made in United States  
Patents/Brevets/Patentes: [www.essity.com/patents](http://www.essity.com/patents)